

Band 20 戶外型小型基地站

此設備由亞旭電腦自行研發，型號為 SFU4120U-D359-RoHS，外觀如下：

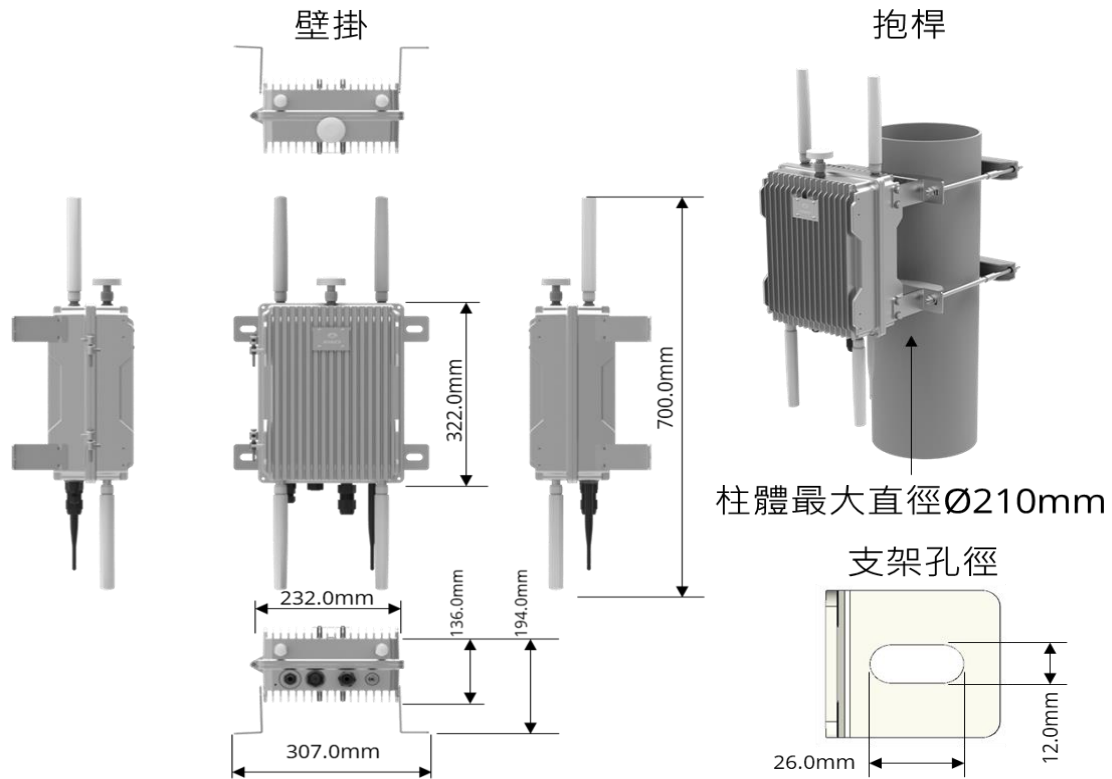


圖 1：戶外型小型基地站 SFU4120U-D359-RoHS 外觀

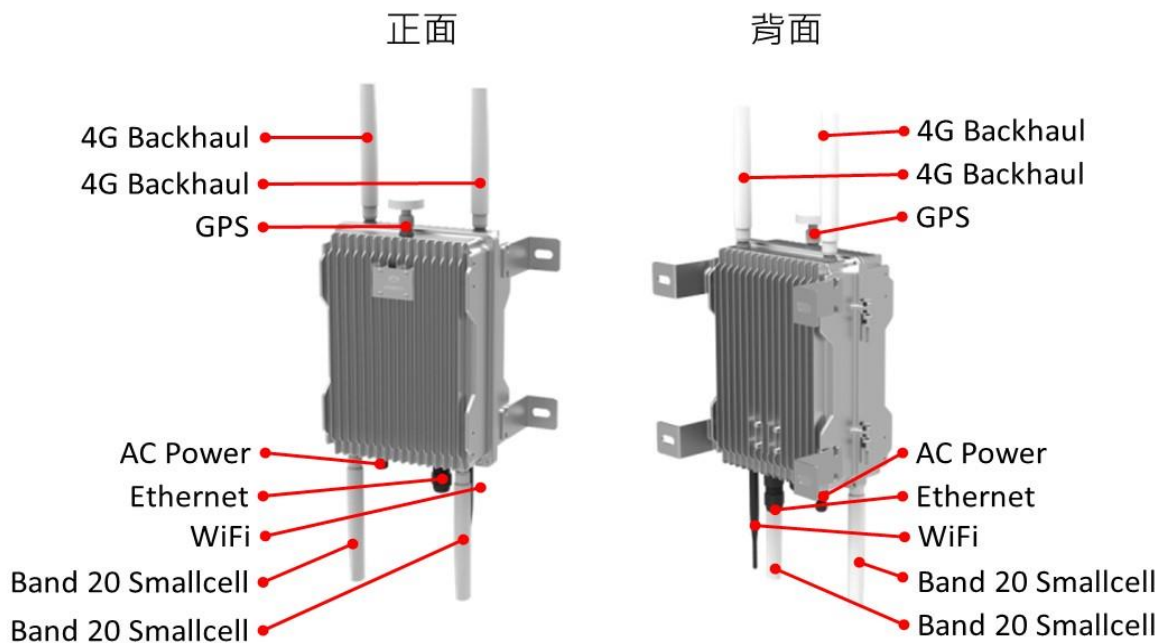


圖 2：戶外型小型基地站 SFU4120U-D359-RoHS 外部介面

有關此設備之產品設計與功能特色，表列如下：

General	
Type	SFU4120U-D359-RoHS
Dimension & Weight	700 x 232 x 136 mm (w/ Antenna), 6.7Kg
Power	AC 100V~230V
Operation Temperature	0°C ~ 55°C
Operation Humidity	Max 90% (Non-condensing)
Power Consumption	60W in Average, Max 75W
Protection	IP65
Band 20 Smallcell	
Standard	3GPP R11
Category	LTE Cat.M1, LTE Cat.4
Band	B20 (DL: 816~821MHz, UL: 857~862MHz)
Duplex Mode	FDD
Modulation	16QAM, 64QAM
Max TX Power	33dBm (w/ Antenna)
Antenna	2x Omni External Antenna @ 3dBi
Concurrent Active Users	10
Smallcell Features	
Mobility	S1/X2 Handover
Operation & Maintenance	<ul style="list-style-type: none"> • Local WiFi w/ Web Browser • TR-069, TR-181, TR-196v2

	<ul style="list-style-type: none"> Support Provisioning Procedure, Configuration Management, Performance Management, Fault Management, Safe Software, Software Upgrade/ Downgrade, Factory Reset
Self-Organizing Network	S1 Automatic Discovery and Configuration, Automatic PCI Selection, ANR (Automatic Neighbor Relations)
Synchronization	GPS Synchronization, Network Listening Based Synchronization
Security	SNOW Encryption Engine, AES Encryption Engine, IPSec Tunnel, Secure Boot
Ethernet Backhaul	
WAN Port	RJ45
4G Backhaul	
Standard	3GPP R12
Category	LTE Cat.4
Bands	LTE B1, B3, B5, B7, B8, B28
Duplex Mode	FDD
Max TX Power	26dBm (w/ Antenna)
Antenna	2x Omni External Antenna @ 3dBi
Remote Monitoring	<ul style="list-style-type: none"> TR-069 Remote Management Support with TR-181i2 data model Local Management Interface Status

	<p>Display, Event Logging, and Traffic Report</p> <ul style="list-style-type: none"> • Remote Firmware Upgrade • Factory Reset via Remote/Local Management Interface • Password Protected System Management
WiFi	
Standard / Band	IEEE 802.11n / 2.4GHz
Max TX Power	22dBm (w/ Antenna)
Antenna	1x Omni External Antenna @ 3dBi